

Supplement to the user information

AquaControl +

Fill level measuring device and drinking water supply

Item-No.: 351021

8. Special functions:

b) Alarm indicator contact:

As an additional function, your unit is equipped with a potential-free alarm indicator contact. This contact is designed as a changeover contact element. A maximum of 230V AC is approved when a current of 1A is switched. The activation of this contact occurs as soon as one of the malfunctions listed under point 6 appears.

The picture on the following page shows the location of the connections. They become available as soon as the lower cover of the system control unit is opened (see diagram 1).

Before opening this cover, it is important to disconnect the device from the mains electricity supply!

Explanation of terms:

- COM is the common port
- NC is coupled to the COM port when there is no current
- NO is connected to the COM port when there is a malfunction

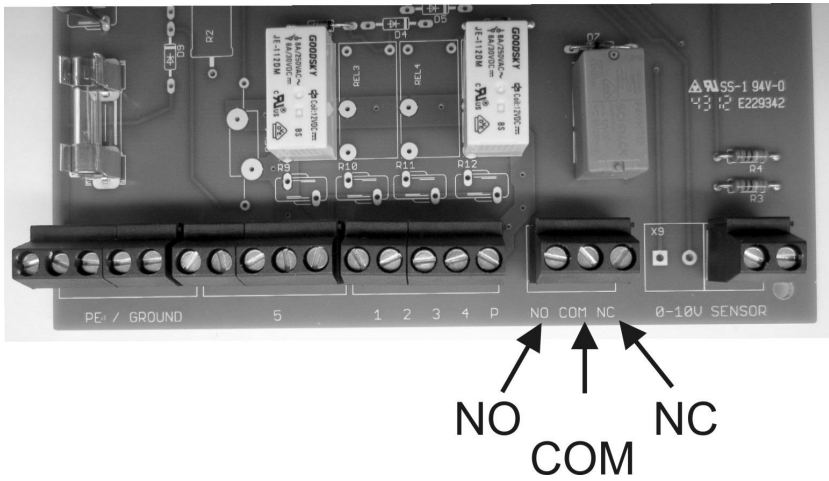


Diagramm 19: location of the fault indicator